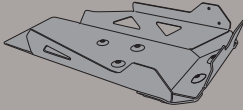


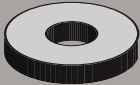


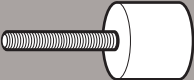


RP5112

PARACOPPA - OIL CARTER PROTECTOR - SABOT MOTEUR - SPEZIFISCHER MOTORSCHUTZ - CUBRE CARTER - COBRE CARTER

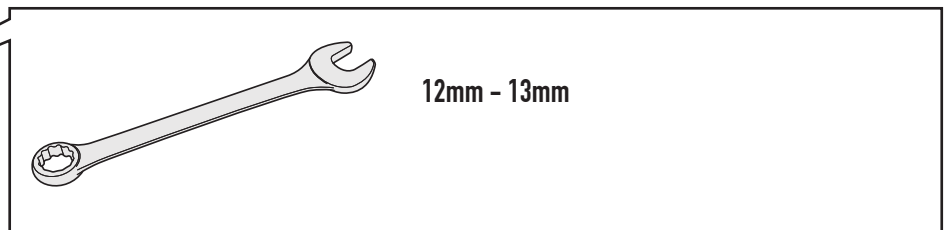
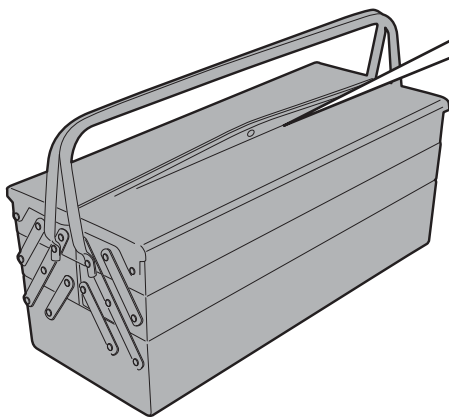
BMW R1200GS (2013 - 2014) / R1200GS ADVENTURE (2014)

N°	Descrizione	Caratteristiche	Codice	Quantità	
1	Paracoppa - Oil Carter Protector Sabot Moteur - Spezifischer Motorschutz Cubre Carter - Cobre Carter	Sp. 3mm	-	1	
2	Vite - Screw Vis - Schraube Tornillo - Parafuso	TE M8x12	812TE	3	
3	Vite - Screw Vis - Schraube Tornillo - Parafuso	TECF M6x20	620TECF	2	
4	Distanziale - Spacer Entretoise - Distanzstueck Distanciador - Espaçador	Ø22x3 Foro 8.5mm	C22L3F8,5T	1	
5	Rondella - Washer Rondelle - Scheibe Arandela - Arruela	Ø6	6RONZ	2	
6	Rondella - Washer Rondelle - Scheibe Arandela - Arruela	Ø8x14	814RONZ	3	
7	Silent Block	30x30	-	3	
8	Componenti Originali - Original Parts Parties Originales - Original Bauteile Componentes Originales - Componentes Originais	-	-	-	-

RP5112

PARACOPPA - OIL CARTER PROTECTOR - SABOT MOTEUR - SPEZIFISCHER MOTORSCHUTZ - CUBRE CARTER - COBRE CARTER

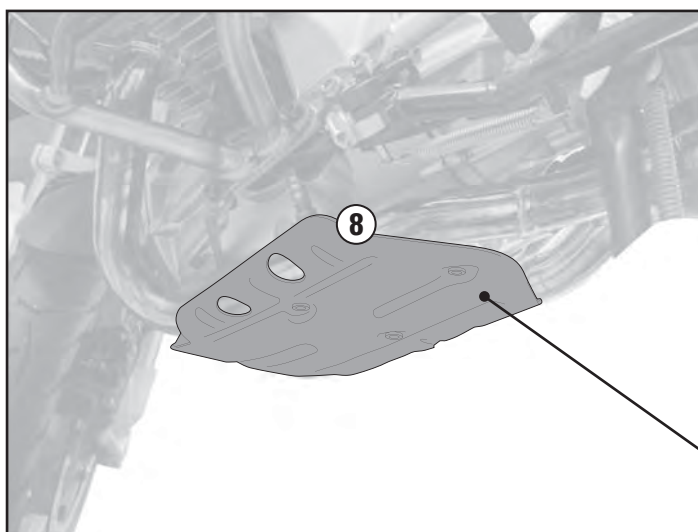
BMW R1200GS (2013 - 2014) / R1200GS ADVENTURE (2014)



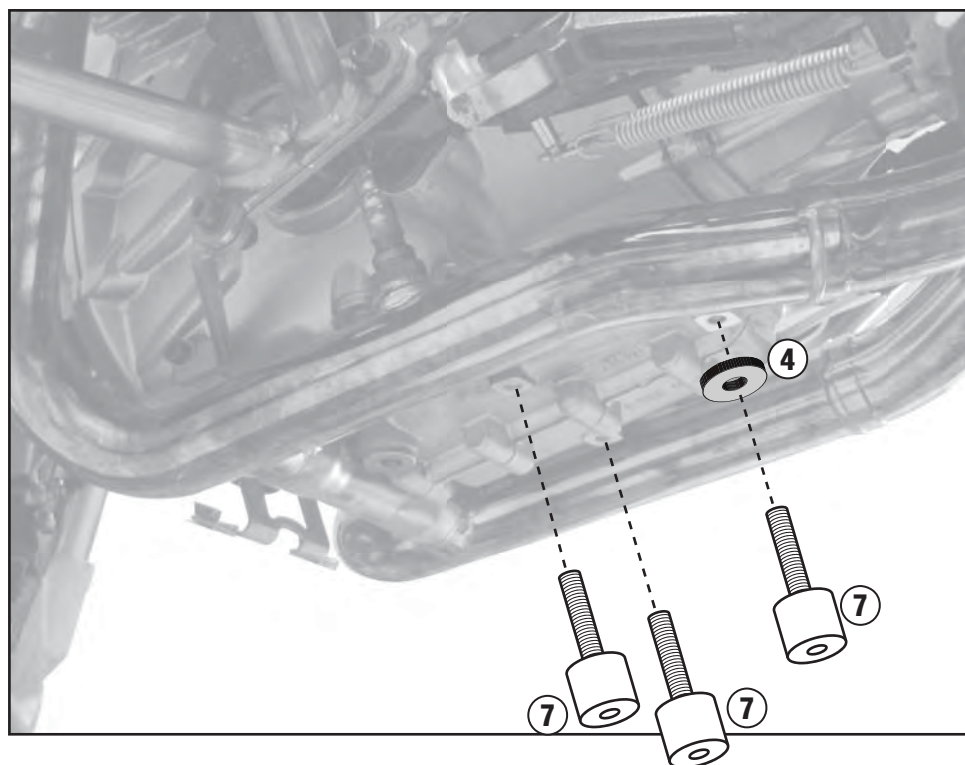
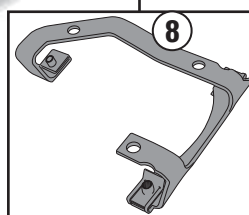
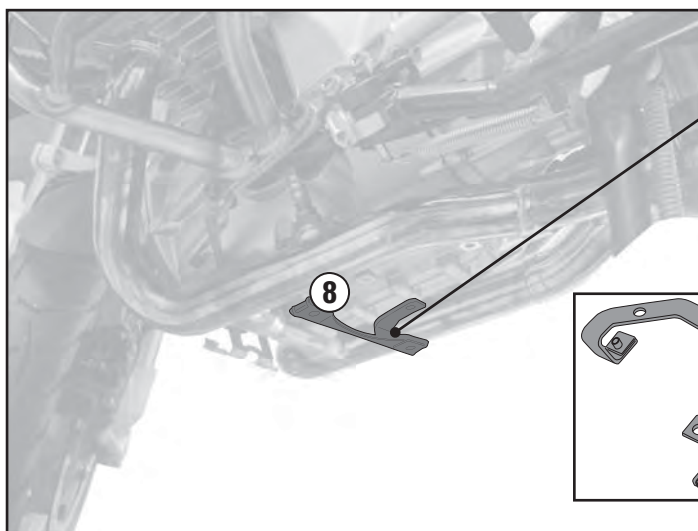
RP5112

PARACOPPA - OIL CARTER PROTECTOR - SABOT MOTEUR - SPEZIFISCHER MOTORSCHUTZ - CUBRE CARTER - COBRE CARTER

BMW R1200GS (2013 - 2014) / R1200GS ADVENTURE (2014)



TOGLIERE
REMOVE
ENLEVER
ENTFERNEN
QUITAR



ISTRUZIONI DI MONTAGGIO - MOUNTING INSTRUCTIONS
INSTRUCTIONS DE MONTAGE - BAUANLEITUNG
INSTRUCCIONES DE MONTAJE - INSTRUÇÕES DE MONTAGEM

RP5112

PARACOPPA - OIL CARTER PROTECTOR - SABOT MOTEUR - SPEZIFISCHER MOTORSCHUTZ - CUBRE CARTER - COBRE CARTER

BMW R1200GS (2013 - 2014) / R1200GS ADVENTURE (2014)

